

# 101

C O P E N H A G E N



## **Phantom Table, Tall - Birch**

Designed by

Kristian Sofus Hansen &  
Tommy Hyldahl

# Phantom Table, Tall - Birch

---

## Product Description

Characterized by its intentionally naive and handmade expression, the Phantom Table reveals its unique casting technique. The table appears at once fragile, delicate, and bulky in its form.

Styled individually, or combined -- with the low Phantom Table paired with the tall -- the Birch colour is hand-painted with soft, natural tones reminiscent of birch bark, blending warmth and serenity into any setting. The colour adds an organic, tranquil charm while retaining the intentional and artisanal look. Use it as a side table or coffee table to add a striking modern accent to the interior.

A sophisticated yet subtle character defines the Phantom Tables, making them a versatile choice for any interior.

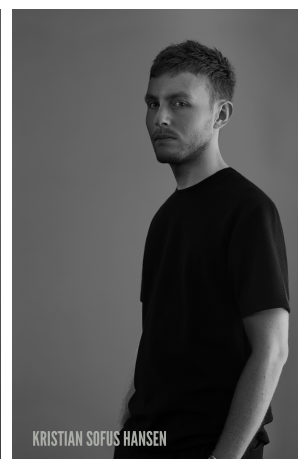
## Designer Description

Tommy Hyldahl and Kristian Sofus Hansen intertwine their distinct sensibilities to create designs where storytelling, materiality, and timeless form meet in quiet harmony.

With a background in fashion, Tommy brings an intuitive eye for trends, colors, and textures. His process is one of layering histories, blending details and references from past design periods and reimagining them into something fresh and contemporary. Each collection unfolds as a narrative, evolving from concept to creation, with every element contributing to a greater story.

Kristian, who has lived and studied in Japan, seeks to unite Japanese aesthetics with Danish design, creating a characteristic twist on simplicity itself. His work is defined by the search for subtle, original details that elevate each piece with a unique signature. Drawing inspiration from art and sculpture, his creative process unfolds in new and exciting ways, always striving to craft designs that are both functional and timeless.

Together, they craft design that transcends time, poetic yet practical, expressive yet enduring.



# Phantom Table, Tall - Birch

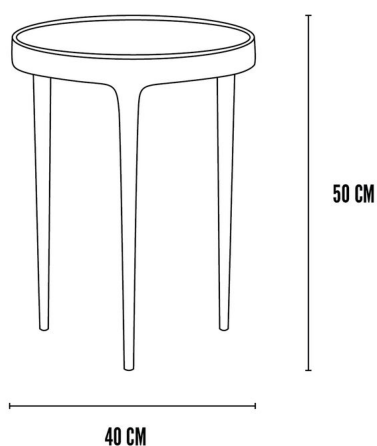
---

## Main

SKU	251045	Product Family	Phantom
Product name	Phantom Table, Tall - Birch	Color	Birch
Product Type	Coffee Table	Size	Tall
		Unit	Piece

## Logistics

EAN number	4251501412885	Package - CBM	0.097
Package height in cm	55.00	Package - Weight KG	7.450
Package width in cm	42.00	Tariff Code No	9403208000
Package length in cm	42.00	Country of origin	India
Suitable for Courier	Yes	Quantity of Inner Boxes	1



## Phantom Table, Tall - Birch

---

### Product

Materials	Powder Coated Aluminium	Net weight in kg	6.25
Item Height in cm	50.00	Space Suitability	Indoor
Item width in cm	40.00	Strength Test	N/A
Item length in cm	40.00	FSC Wood	N/A

### Upholstery

Fabric		Cigarette Test - CAL-117
Martindale	N/A	Cigarette Test - EN 1021-1
Colour Fastness to Light		Cigarette Test - BS5852 Part 1
Pilling		Match Flame Test - EN 1021-2
Oeko Tex		Ignition Source 5 (Crib 5) - BS 5852 Part 2
Fire Test Foam	N/A	NF P92-507 - Class M1

## Phantom Table, Tall - Birch

---

### Family Description Text

The Phantom Series embodies a quiet tension between fragility and strength, delicacy and presence. Its intentionally naïve, handmade expression reveals the beauty of imperfection, capturing the fleeting poetry of form through a unique casting technique. Each piece feels sculptural yet understated, fragile in spirit yet monumental in its stance, a presence that lingers like a shadow, subtle but unforgettable.

The Phantom Table is a study in contrasts, at once raw and refined, ephemeral and enduring. Its surface carries the traces of craft, whispering of the hand that shaped it while reflecting the timeless dialogue between material and imagination. At the same time, it is an exploration of atmosphere, an object that inhabits a space with quiet strength, inviting reflection and reverie.

Versatile and iconic, the Phantom Table stands as a true celebration of material, craft, and form, resonating with a beauty that is both subtle and profound.

### Color Description

Hand-painted in a bright, pale natural beige with a whisper of warmth, Birch reflects the gentle tone of fresh wood. Its light and airy presence brings softness and calm, while variations in brush strokes lend natural depth, ensuring each piece is uniquely alive.

## Phantom Table, Tall - Birch

---

### Maintenance Guide Description

Powder-coated aluminium offers lightweight strength with a smooth, durable finish, ideal for indoor furniture. To preserve its surface, dust regularly with a soft, dry cloth. For deeper cleaning, wipe gently with a damp cloth and mild, pH-neutral soap, then dry immediately to prevent streaks or water spots.

Avoid abrasive sponges, brushes, or harsh chemicals, as these can scratch or dull the powder coating. Always use coasters, mats, or felt pads to protect against marks, scratches, or heat from objects placed directly on the surface.

With mindful care, powder-coated aluminium will retain its refined finish and contemporary character, ensuring your furniture remains both resilient and elegant over time.

### Materials Description

Powder-coated aluminium reflects the balance of strength and refinement. Each piece is coated with precision, resulting in a smooth and uniform surface that emphasizes form and silhouette with clarity. The finish enhances durability while introducing a calm, tactile character that enriches the material's expression.